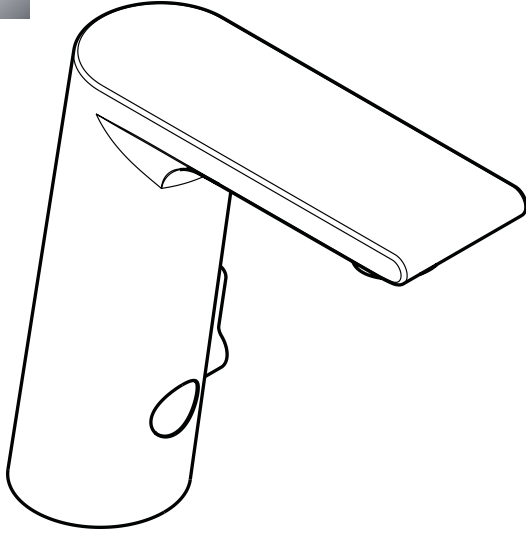


Metris Electronic Lavatory Faucet with Temperature Control, 110 V

31102XX1

ECO
RIGHT



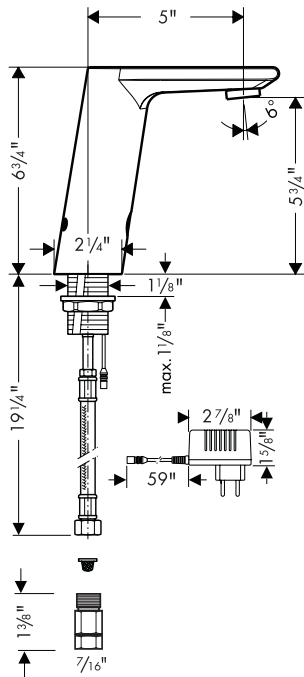
Product Features

- Infrared sensor technology
- 110 V
- Built-in stop for cleaning
- Manual temperature control
- Flexible supply hoses with 3/8" adapters
- Automatic shutoff after 35 seconds
- 1.5 gpm max.

Code Compliance

This unit meets or exceeds the following:

- ASME A112.18.1
- CSA B125.1
- Listed by IAPMO
- ADA compliant
- Approved for use in Massachusetts



Available Finishes

Chrome	31102001
Steel Optik	31102801

Optional Accessories

Grid drain	06400XX0
Base plate	14018XX1

Installation Notes

Requires 110 V outlet

The measurements shown are for reference only.

Products and specifications shown are subject to change without notice.

Specification sheet revised 1/2009

hansgrohe