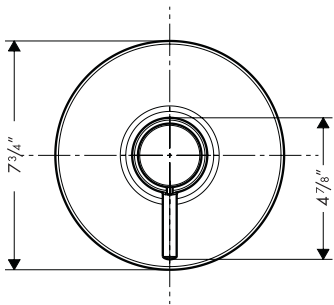
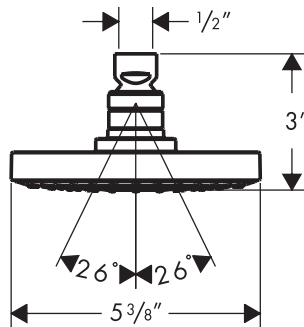
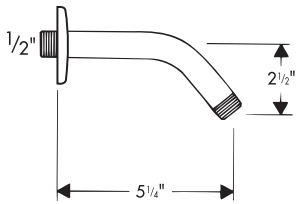
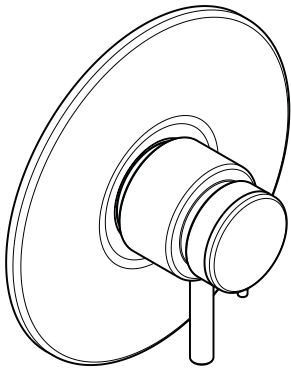
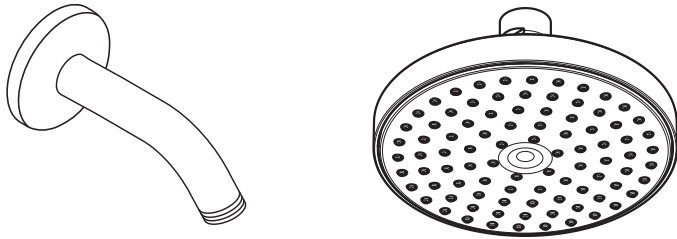


Talis™ S Trim, ThermoBalance I Shower Set

32323XX1



Product Features

- Set includes ThermoBalance I valve trim, shower arm, Raindance S 150 AIR 1-jet showerhead
- Max. flow rate of showerhead 2.5 gpm
- Thermostatic mixing valve with 100° safety stop, integrated volume control
- Valve max. flow rate 9.5 gpm @ 44 psi when used with rough 06621/06622, 6.0 gpm @ 44 psi when used with rough 06300/06301

Code Compliance

This unit meets or exceeds the following:

- ASME A112.18.1
- CSA B125.1
- Listed by IAPMO

Available Finishes

Chrome	32323001
Brushed Nickel	32323821

Required Accessories

ThermoBalance I rough	06622000
or	
ThermoBalance I rough with stops	06621000
or	
ThermoBalance I rough with bypass	06300000
or	
ThermoBalance I rough with bypass and stops	06301000

The measurements shown are for reference only.

Products and specifications shown are subject to change without notice.

Specification sheet revised 11/2008

hansgrohe