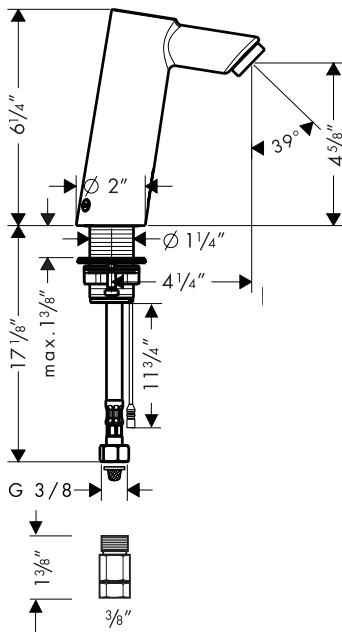
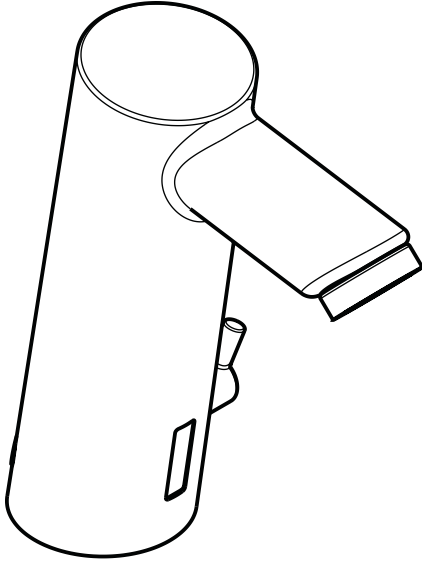


**ECO
RIGHT**



Product Features

- Infrared sensor technology
- Operated by 6 V lithium battery
- Built-in stop for cleaning
- Temperature control lever on side
- 1.5 gpm

Code Compliance

This unit meets or exceeds the following:

- ADA compliant

Available Finishes

Chrome

32110XX1

Steel Optik

32110801

Optional Accessories

Grid drain

06400000

Installation Notes

- Cannot be used on sink with raised lip

The measurements shown are for reference only.

Products and specifications shown are subject to change without notice.

Specification sheet revised 1/2009