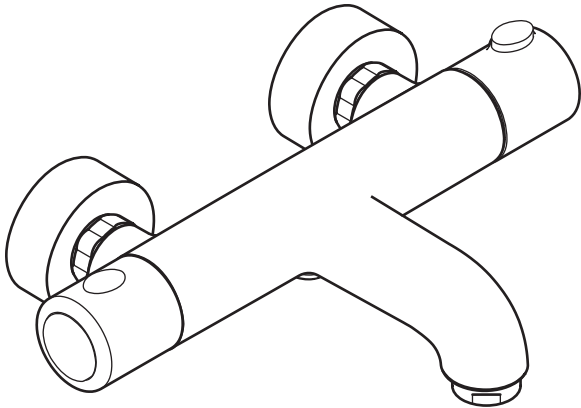


Ecostat Exposed Tub-Shower Thermostat

13241XX1

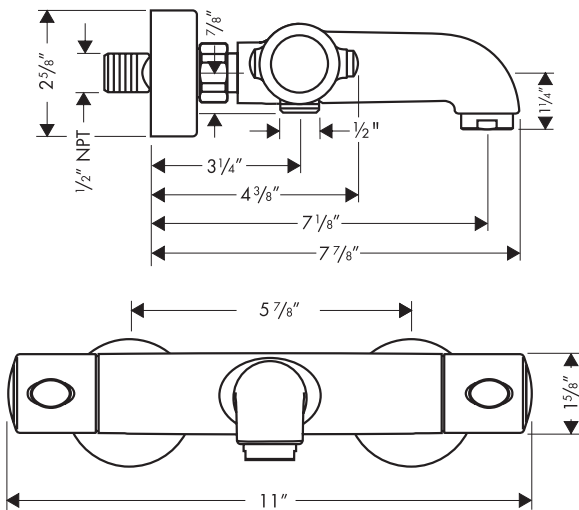


Product Features

- Exposed thermostatic mixing valve with integrated volume control and diverter
- High temperature limit stop may be reset to comply with local plumbing codes
- Connection on bottom for handshower hose
- Protection against backflow provided by check valve
- Tub filler
- 1/2" male adapters
- Max. flow rate 8 gpm @ 44 psi

Available Finishes

Chrome	13241001
Brushed Nickel	13241821



Required Accessories

Handshower, hose, and handshower holder or wallbar – many styles available

The measurements shown are for reference only.

Products and specifications shown are subject to change without notice.

Specification sheet revised 2/2008

hansgrohe