

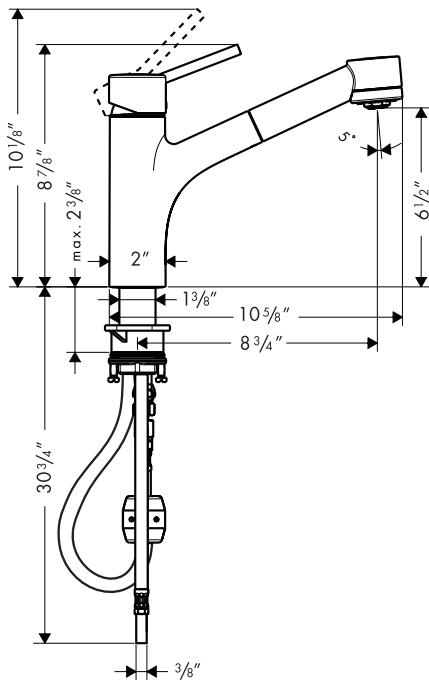
## Product Features

- Solid brass
- Ceramic cartridge
- Pull-out handspray with full and needle spray
- Spout swivels 150°
- Protection against back siphonage provided by check valve
- 2.2 gpm

## Code Compliance

This unit meets or exceeds the following:

- ADA compliant



## Available Finishes

Chrome

06462000

Steel Optik

06462860

## Optional Accessories

10" baseplate

06473XX0

Soap dispenser

06328XX0

The measurements shown are for reference only.

Products and specifications shown are subject to change without notice.

Specification sheet revised 2/2008