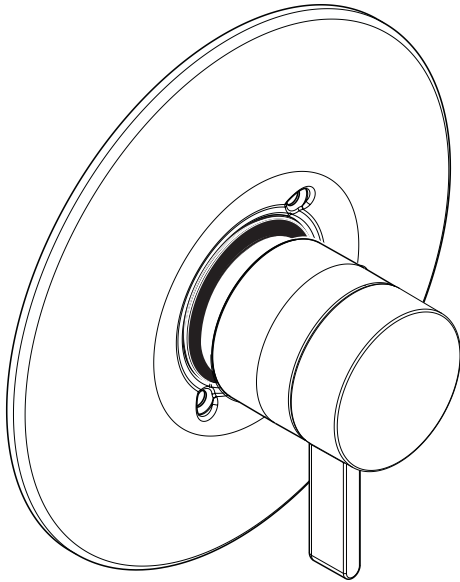


Metris™ S Trim, Pressure Balance Valve

06403XX0



Product Features

- Includes handle, handle adapter, escutcheon, screws, and seal

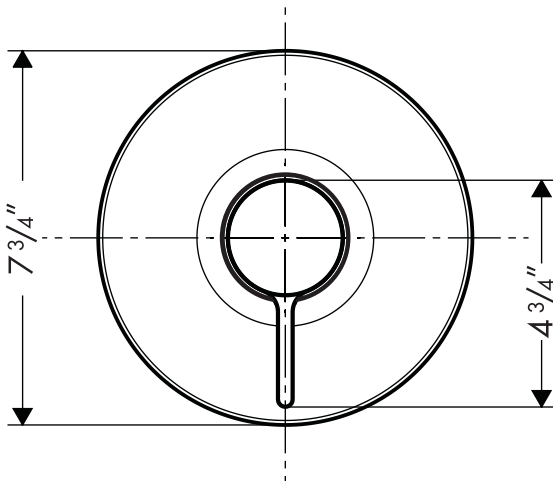
Code Compliance

This unit meets or exceeds the following:

- ADA compliant
- ASME A112.18.1
- CSA B125.1
- Listed by IAPMO
- Approved for use in Massachusetts

Available Finishes

Chrome	06403000
Brushed Nickel	06403820



Required Accessories

Rough, Pressure Balance Valve	06348000
or	
Rough, Pressure Balance Valve with Stops	06349000
or	
Delta 1300 Pressure Balance Valve	

The measurements shown are for reference only.

Products and specifications shown are subject to change without notice.

Specification sheet revised 5/2008

hansgrohe