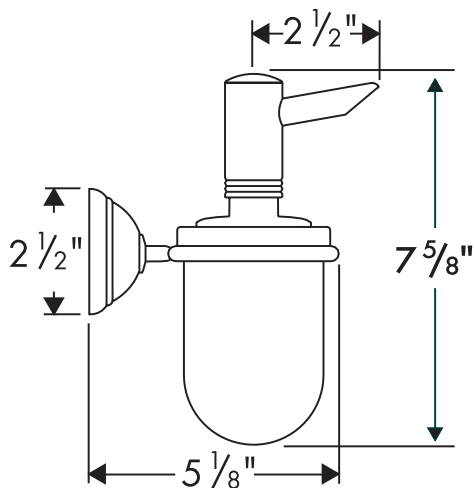


Product Features

- Wall-mounted
- Solid brass holder
- Anti-clog pump liner

Available Finishes

Chrome	06092000
Oil Rubbed Bronze	06092620
Brushed Nickel	06092820
Polished Nickel	06092830
Rubbed Bronze	06092920



The measurements shown are for reference only.

Products and specifications shown are subject to change without notice.

Specification sheet revised 1/2009