

Product Features

- Includes handle, handle adapter, escutcheon, screws, seal

Code Compliance

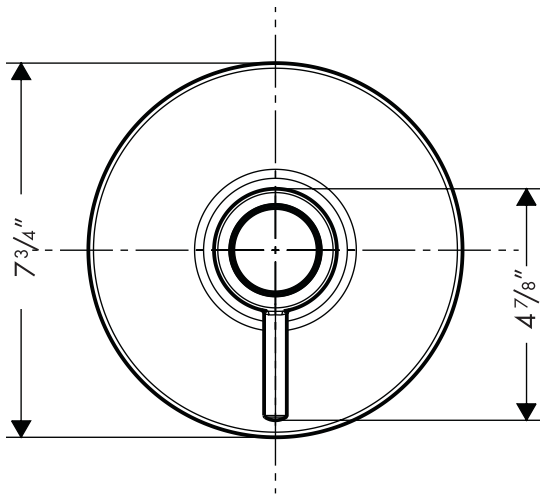
This unit meets or exceeds the following:

- ADA compliant
- ASME A112.18.1
- CSA B125.1
- Listed by IAPMO
- Approved for use in Massachusetts

Available Finishes

Chrome

06407000



Required Accessories

Rough, Pressure Balance Valve

06348000

or

Rough, Pressure Balance Valve with Stops

06349000

or

Delta 1300 Pressure Balance Valve

The measurements shown are for reference only.

Products and specifications shown are subject to change without notice.

Specification sheet revised 5/2008