

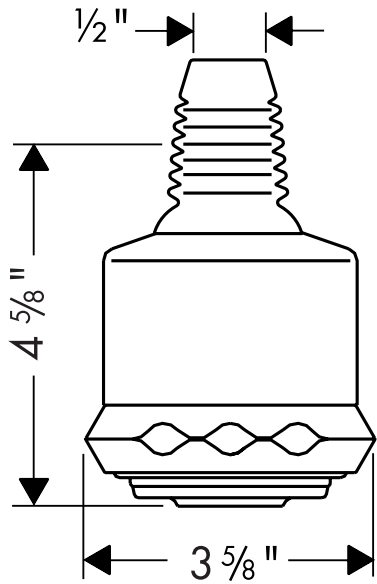
Product Features

- Solid brass shell
- Quiclean™ cleaning system
- 3 spray modes: massage, full, soft aerated
- 72 no-clog spray channels
- Includes decorative rubber boot
- 2.5 gpm

Code Compliance

This unit meets or exceeds the following:

- ASME A112.18.1
- CSA B125.1
- Listed by IAPMO
- Approved for use in Massachusetts



Available Finishes

Chrome	28496001
Oil Rubbed Bronze	28496621
Steel	28496801
Brushed Nickel	28496821
Polished Nickel	28496831
Polished Brass	28496931

The measurements shown are for reference only.

Products and specifications shown are subject to change without notice.

Specification sheet revised 1/2008