

Product Features

- Solid brass
- Single-hole mount
- Single handle with M2 ceramic cartridge
- 2.2 gpm
- Includes pop-up drain

Code Compliance

This unit meets or exceeds the following:

- ASME A112.18.1
- CSA B125.1
- Listed by IAPMO
- ADA compliant

Available Finishes

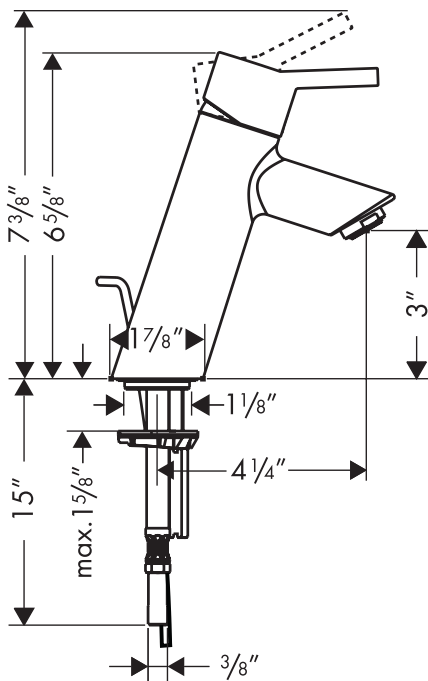
| | |
|----------------|----------|
| Chrome | 32040001 |
| Brushed Nickel | 32040821 |

Installation Notes

- 3/8" supply hoses – requires 3/8" compression fittings

Optional Accessories

| | |
|--------------|----------|
| 6" baseplate | 06490XX0 |
|--------------|----------|



The measurements shown are for reference only.

Products and specifications shown are subject to change without notice.

Specification sheet revised 2/2008