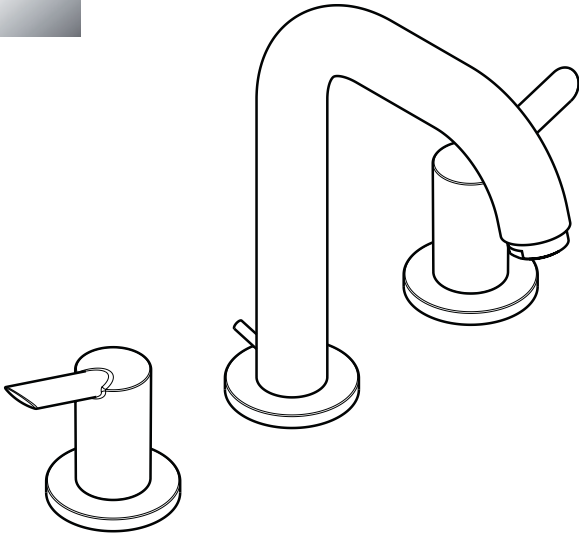


ECO  
RIGHT



## Product Features

- 90° Ceramic cartridges
- Flexible connecting hoses accommodate a variety of installations
- 1.5 gpm max.
- Cascade no-clog aerator
- Includes pop-up drain

## Code Compliance

This unit meets or exceeds the following:

- ASME A112.18.1
- CSA B125.1
- Listed by IAPMO
- Approved for use in Massachusetts

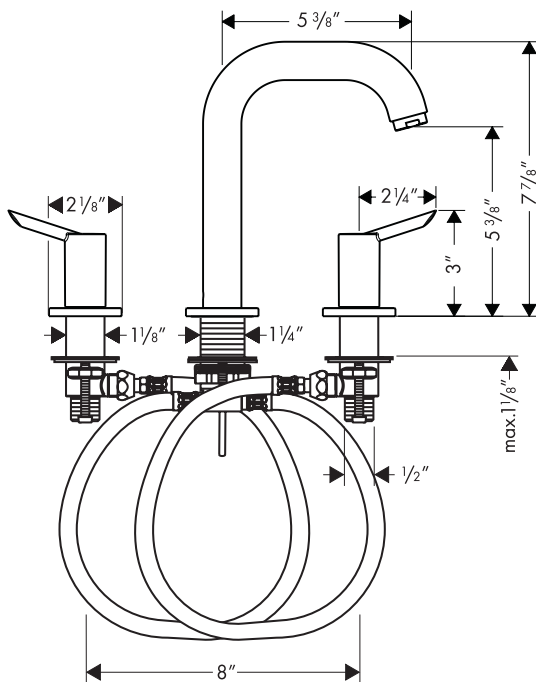
## Available Finishes

Chrome

31730001

## Installation Notes

- Requires 1/2" supply lines



The measurements shown are for reference only.

Products and specifications shown are subject to change without notice.

Specification sheet revised 1/2009