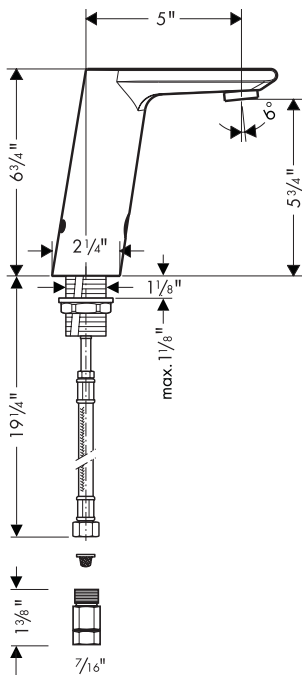
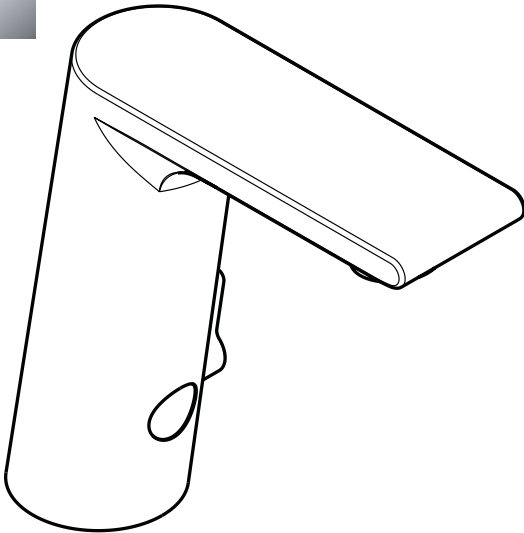


Metris Electronic Lavatory Faucet with Temperature Control

31100XX1

ECO
RIGHT



Product Features

- Infrared sensor technology
- Battery operated
- Built-in stop for cleaning
- Manual temperature control
- Flexible supply hoses with 3/8" adapters
- Automatic shutoff after 35 seconds
- 1.5 gpm max.

Code Compliance

This unit meets or exceeds the following:

- ASME A112.18.1
- CSA B125.1
- Listed by IAPMO
- ADA compliant
- Approved for use in Massachusetts

Available Finishes

Chrome	31100001
Steel Optik	31100801

Optional Accessories

Grid drain	06400XX0
Base plate	14018XX1

The measurements shown are for reference only.

Products and specifications shown are subject to change without notice.

Specification sheet revised 1/2009

hansgrohe