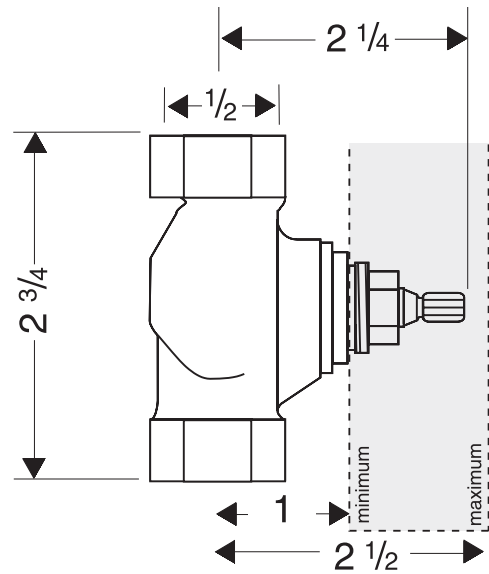
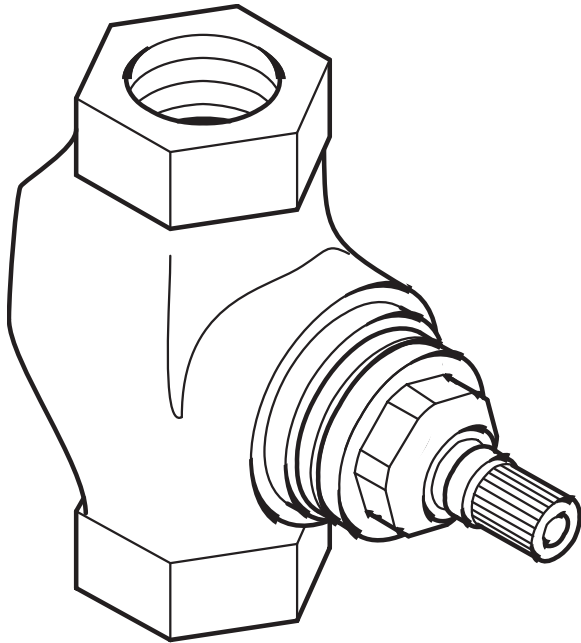


1/2" Volume Control Rough-In

13974181

Listed by IAPMO



the surface of the finished wall must fall between the minimum and maximum lines.

Product Specification

Requires trim kit (not included)

Recommended incoming water pressure 45-80 PSI

Nominal capacity @ 45 PSI 10.5 GPM*

Ceramic cartridge

This valve is a volume control ("shutoff") only. It does not control the temperature of the water.

Do not use this valve in combination with the 13408181 Equilibrium™ pressure balancing valve

*If this unit is used with a mixing valve, the actual flow rate will be limited to the flow rate of the mixing valve.

Please know and follow all applicable local plumbing codes when setting the temperature on the water heater. (In Massachusetts, the water heater may be set no higher than 112°F.)

hansgrohe