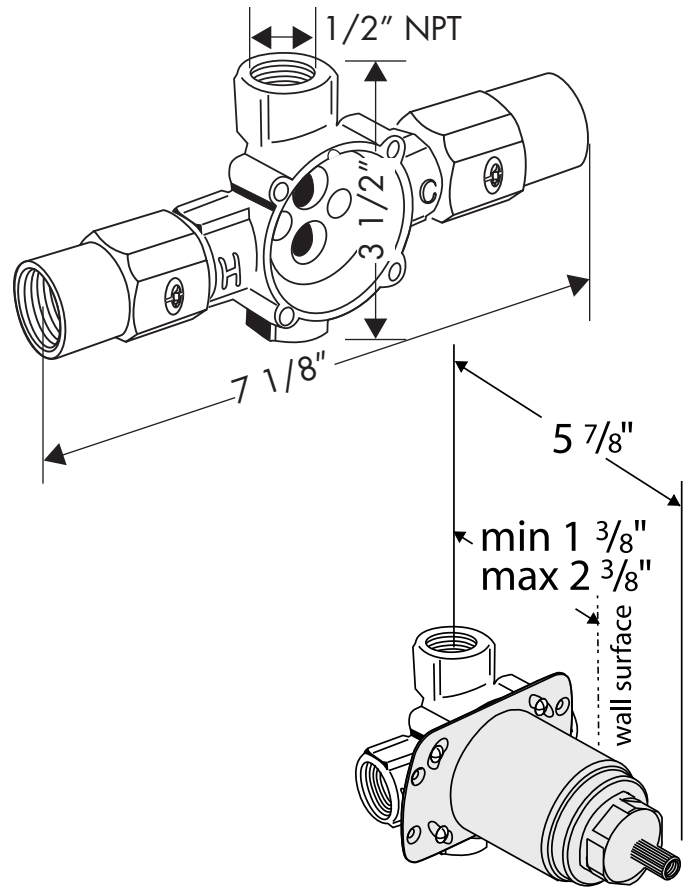
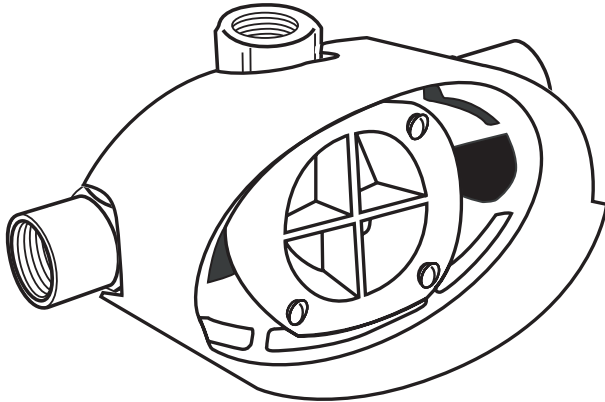


Rough, ThermoBalance II 06627000



Thermoelement shown
included with trim kit

Product Specification

Thermostatic mixer with integrated volume control and two way diverter

Solid brass construction

Includes service (isolation) stops

For two function installation only – do not plug either outlet

Includes installation box with flush insert

Flow rate @ 45 psi 8.0 gpm

100° safety stop

High temperature limit stop may be reset to comply with local plumbing codes

Requires ThermoBalance II trim kit

Thermoelement included with trim kit

1/2" NPT connections

Do not use with diverter tub spout

Listed by UL

hansgrohe