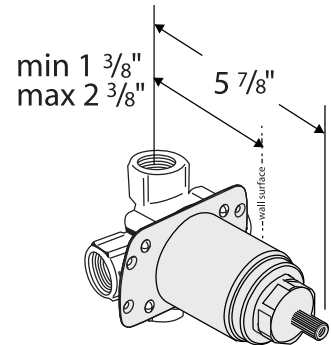
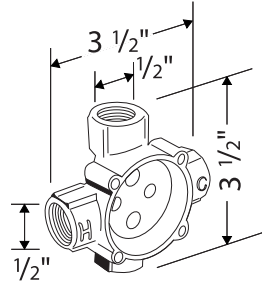
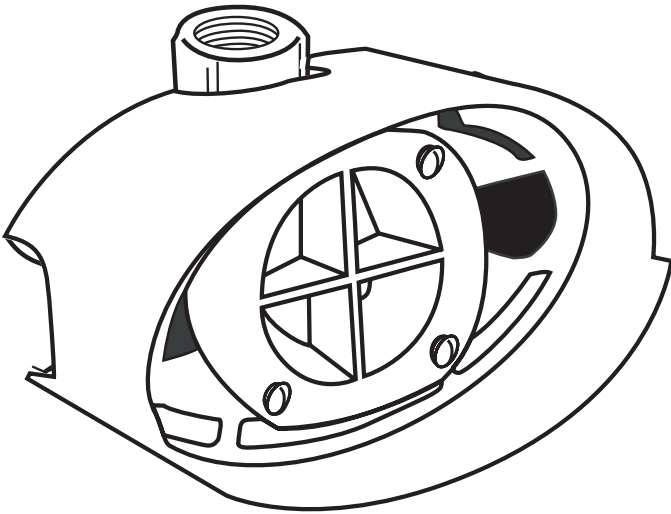


# Rough, ThermoBalance II 06623000



Thermoelement shown  
included with trim kit

## Product Specification

Thermostatic mixer with integrated volume control and two way diverter

Solid brass construction

For two function installation only – do not plug either outlet

Includes installation box with flush insert

Flow rate @ 45 psi 8.0 gpm

100° safety stop

High temperature limit stop may be reset to comply with local plumbing codes

Requires ThermoBalance II trim kit

Thermoelement included with trim kit

1/2" NPT connections

Do not use with diverter tub spout

Listed by UL

**hansgrohe**