

Product Features

- Includes handle, handle adapter, escutcheon, screws, seal
- Includes cartridge – prevents loss or damage at jobsite
- Can be used as upgrade kit for Delta 1300 PBV

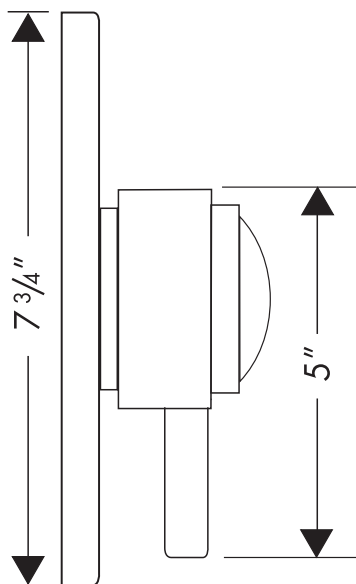
Code Compliance

This unit meets or exceeds the following:

- ADA compliant

Available Finishes

Chrome	06356000
Brushed Nickel	06356820



Required Accessories

Rough	06348000
or	
Rough with stops	06349000

The measurements shown are for reference only.

Products and specifications shown are subject to change without notice.

Specification sheet revised 1/2008