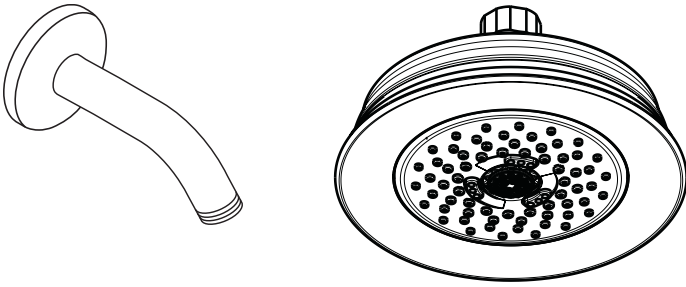


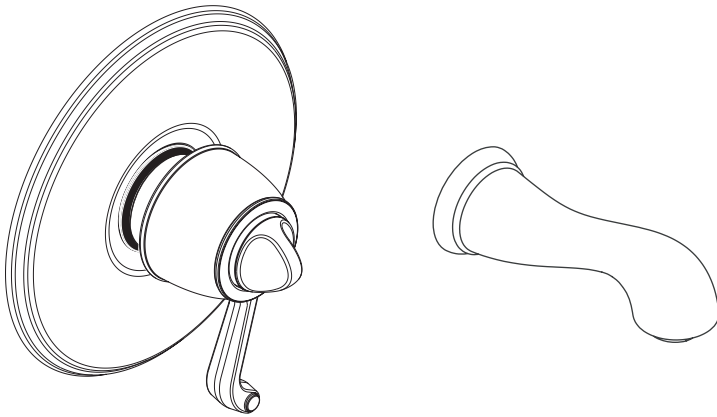
# Trim, ThermoBalance II Shower Set with Scroll Handle

06083XX0



## Product Features

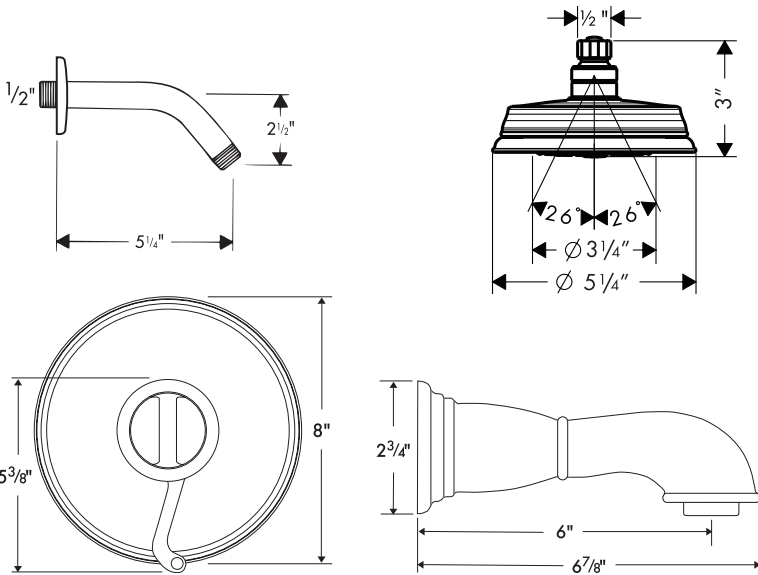
- Set includes ThermoBalance II valve trim, Croma C 100 3-jet showerhead with arm, tub spout
- Max. flow rate of showerhead 2.5 gpm
- Thermostatic mixing valve with 100° safety stop, integrated volume control and two-way diverter
- Valve controls two functions
- Max. flow rate of valve 8.0 gpm @ 44 psi



## Code Compliance

Valve trim 06065XX0 meets or exceeds the following:

- ASME A112.18.1
- CSA B125.1
- ASSE 1016
- Listed by IAPMO



## Available Finishes

Chrome	06083000
Oil Rubbed Bronze	06083620
Brushed Nickel	06083820
Polished Nickel	06083830

## Required Accessories

ThermoBalance II rough	06623000
or	
ThermoBalance II rough with stops	06627000

The measurements shown are for reference only.

Products and specifications shown are subject to change without notice.

Specification sheet revised 12/2007

**hansgrohe**