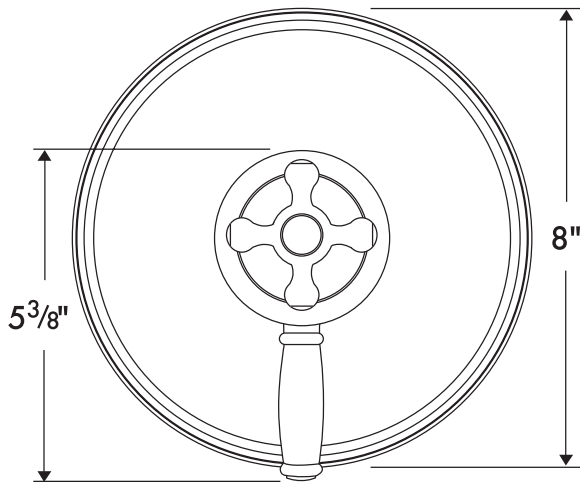
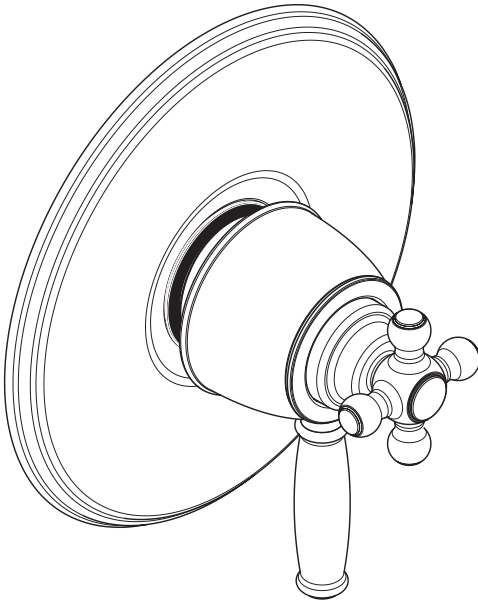


C Trim, ThermoBalance III with Cross Handle

06069XX0



Product Features

- Matches Swing C, Tango C, Limbo C
- Thermostatic temperature control and volume control in one unit
- 100° Safety stop
- Integrated three-way diverter – controls three functions
- Function 1 can only be used individually, functions 2 and 3 can be used individually or simultaneously
- High temperature limit stop may be reset to comply with local plumbing codes
- Flow rate 6.0 gpm @ 44 psi

Code Compliance

This unit meets or exceeds the following:

- ASME A112.18.1
- CSA B125.1
- ASSE 1016
- Listed by IAPMO
- Approved for use in Massachusetts

Available Finishes

Chrome	06069000
Oil Rubbed Bronze	06069620
Brushed Nickel	06069820
Polished Nickel	06069830

Required Accessories

ThermoBalance III rough	06624000
or	
ThermoBalance III rough with stops	06628000

The measurements shown are for reference only.

Products and specifications shown are subject to change without notice.

Specification sheet revised 1/2009

hansgrohe