

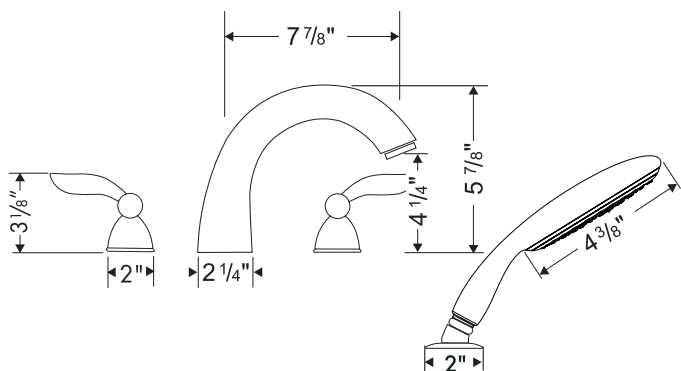
Product Features

- Lever handles
- Solid brass
- Deck mounted
- Handshower with three spray modes: full, massage, turbo
- Handshower flow rate 2.5 gpm max.
- Tub spout with diverter
- Protection against backflow provided by check valve

Code Compliance

This unit meets or exceeds the following:

- ASME A112.18.1
- CSA B125.1
- ANSI 117.1
- Listed by IAPMO
- Approved for use in Massachusetts



Available Finishes

| | |
|-----------------|----------|
| Chrome | 06665000 |
| Brushed Nickel | 06665820 |
| Polished Nickel | 06665830 |

Required Accessories

| | |
|-------|----------|
| Rough | 06646000 |
|-------|----------|

The measurements shown are for reference only.

Products and specifications shown are subject to change without notice.

Specification sheet revised 1/2008