

Product Features

- Anodized aluminum body, satin chrome finish
- Pre-plumbed with thermostatic temperature control with integrated diverter and volume control
- Max. flow rate of valve – 8 gpm @ 44 psi
- Raindance E 150 AIR 3-Jet handshower with 63" handshower hose, 2.5 gpm
- Protection against backflow provided by check valve
- Integrated wallbar with angle adjustable handshower holder
- 5 angle adjustable bodyjets
- Frosted accessory shelf
- 1/2" connections

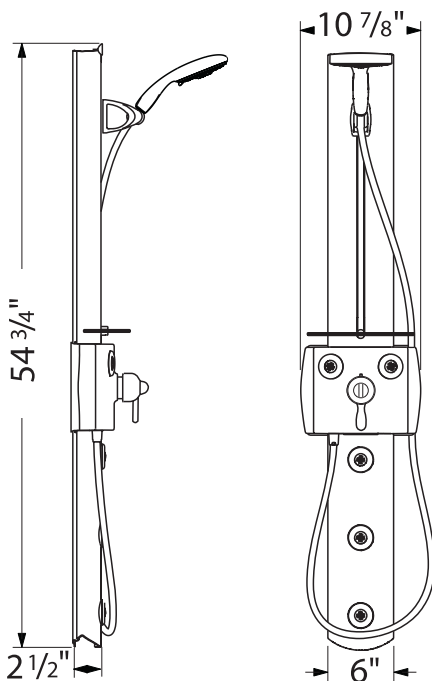
Code Compliance

This unit meets or exceeds the following:

- ASME A112.18.1
- CSA B125.1
- ASSE 1016
- Listed by IAPMO
- Approved for use in Massachusetts

Available Finishes

Satin chrome panel with chrome trim	06549000
Satin chrome panel with brushed nickel trim	06549820



The measurements shown are for reference only.

Products and specifications shown are subject to change without notice.

Specification sheet revised 2/2008