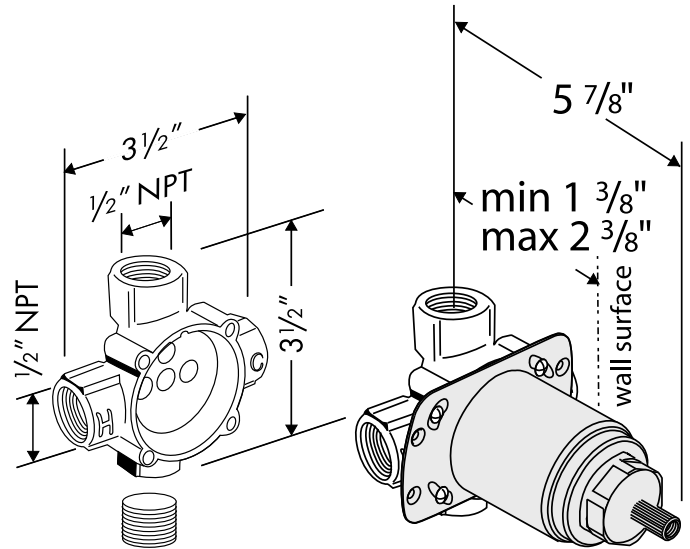
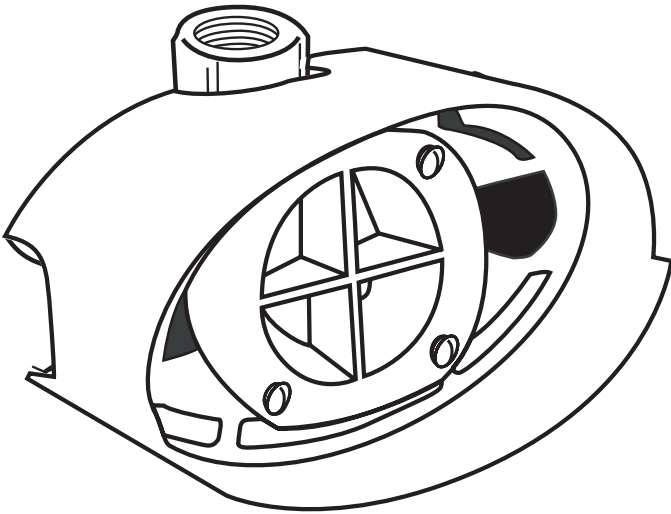


Rough, ThermoBalance I 06622000



Thermoelement shown
included with trim kit

Product Specification

Thermostatic mixer with integrated volume control

Solid brass construction

For one-function installation only – one outlet must be plugged

Includes installation box with flush insert

Flow rate @ 45 psi 9.5 gpm

100° safety stop

High temperature limit stop may be reset to comply with local plumbing codes

Requires ThermoPlus or ThermoBalance I trim kit

Thermoelement included with trim kit

1/2" NPT connections

Do not use with diverter tub spout

Listed by UL

hansgrohe