

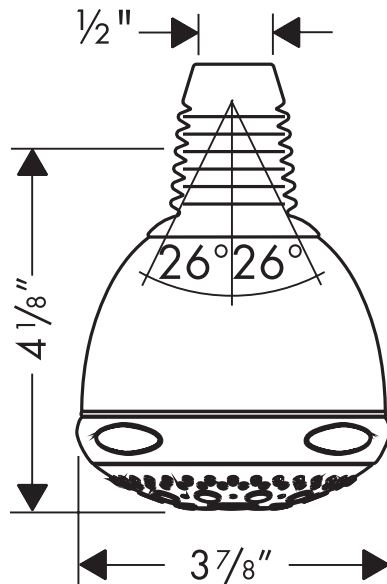
Product Features

- Solid brass shell
- Quick Clean™ cleaning system
- 4 spray modes: full, mono, massage, soft aerated
- 64 no-clog spray channels
- Includes decorative rubber boot
- 2.5 gpm

Code Compliance

This unit meets or exceeds the following:

- ASME A112.18.1
- CSA B125.1
- Listed by IAPMO
- Approved for use in Massachusetts



Available Finishes

Chrome	28442001
Steel	28442801
Brushed Nickel	28442821
Polished Nickel	28442831
Polished Brass	28442931

The measurements shown are for reference only.

Products and specifications shown are subject to change without notice.

Specification sheet revised 5/2008