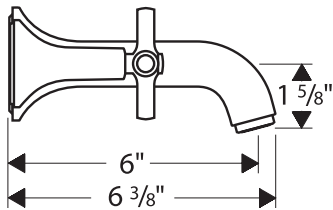
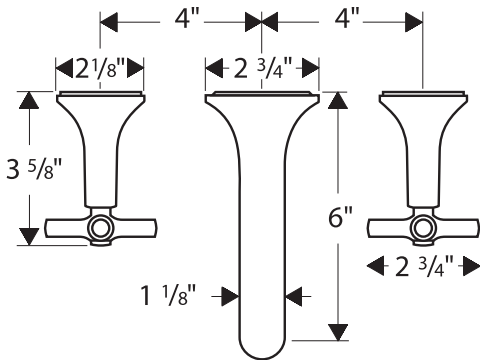
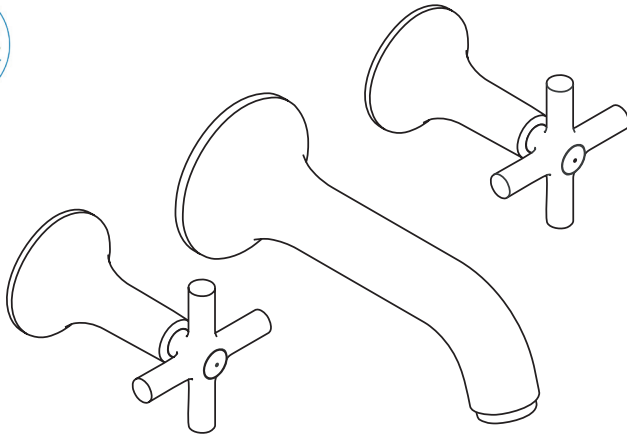


# Axor Terrano Widespread Lavatory Faucet

37313XX1

ECO  
RIGHT



## Product Features

- Wall mounted
- Cross handles
- Ceramic cartridges
- 6" spout
- Flow rate 1.5 gpm

## Code Compliance

This unit meets or exceeds the following:

- ASME A112.18.1
- CSA B125.1
- Listed by IAPMO
- WaterSense certified
- Approved for use in Massachusetts

## Available Finishes

Chrome	37313001
Brushed Nickel	37313821

## Required Accessories

Rough valve	10303181
-------------	----------

## Optional Accessories

Grid drain	06400XX0
------------	----------

The measurements shown are for reference only.

Products and specifications shown are subject to change without notice.

Specification sheet revised 5/2009