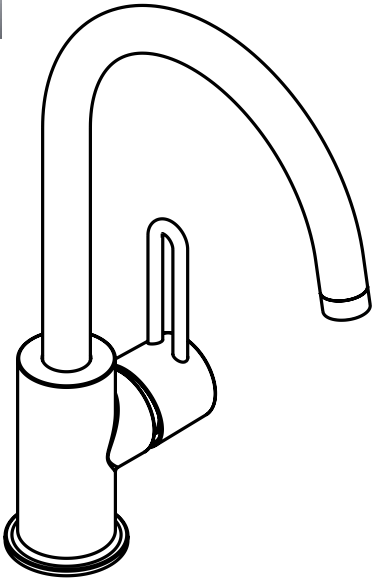


# Axor Uno<sup>2</sup> Lavatory Mixer, High Spout

38030XX1

ECO  
RIGHT



## Product Features

- Loop handle with ceramic cartridge
- Single hole installation
- Solid brass
- Spout swivels 150°
- 1.5 gpm
- Includes pop-up drain

## Code Compliance

This unit meets or exceeds the following:

- ASME A112.18.1
- CSA B125.1
- Listed by IAPMO
- ADA compliant
- Approved for use in Massachusetts

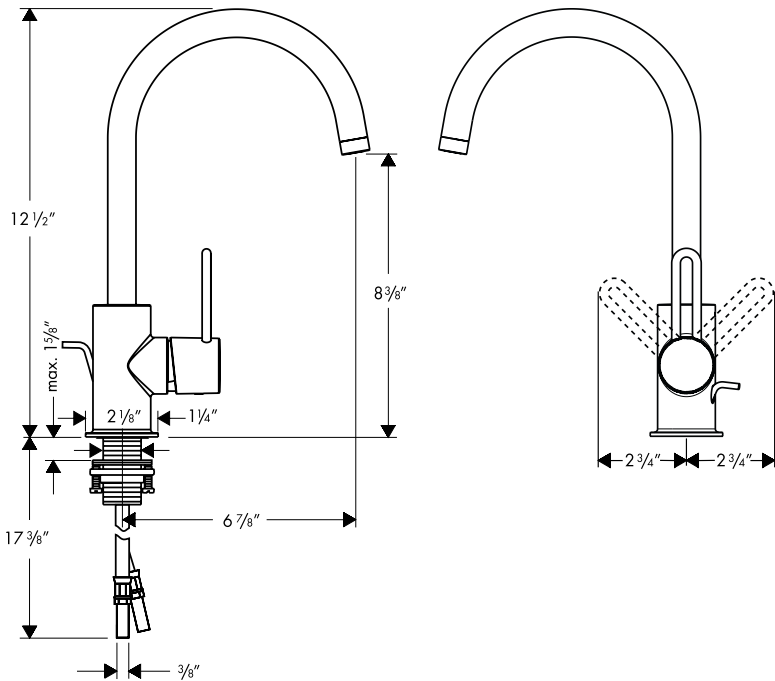
## Available Finishes

Chrome

38030001

Brushed Nickel

38030821



The measurements shown are for reference only.

Products and specifications shown are subject to change without notice.

Specification sheet revised 03/2009

## Installation Notes

- 3/8" Supply hoses – requires 3/8" compression fittings

**AXOR**<sup>®</sup>  
hansgrohe