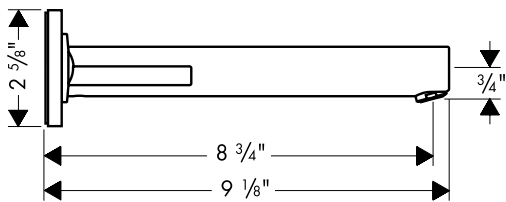
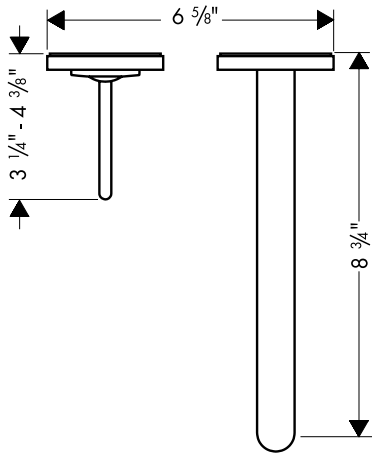
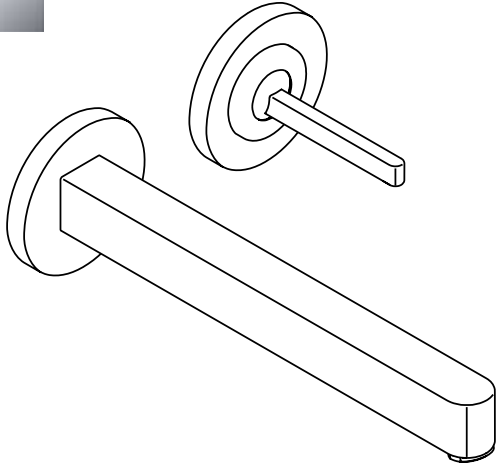


Axor Steel Wall-Mounted Single-Control Lavatory Set

35116801

ECO
RIGHT



The measurements shown are for reference only.

Products and specifications shown are subject to change without notice.

Specification sheet revised 03/2009

Product Features

- Stainless steel
- Ceramic cartridge
- 1.5 gpm

Code Compliance

This unit meets or exceeds the following:

- ASME A112.18.1
- CSA B112.1
- Listed by IAPMO
- ADA compliant
- Approved for use in Massachusetts

Available Finishes

Steel

35116801

Required Accessories

Rough

38111181

Optional Accessories

Grid drain

06400800