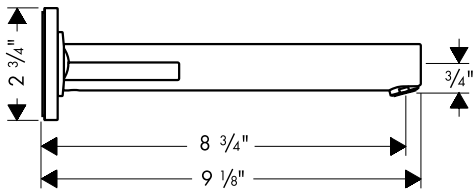
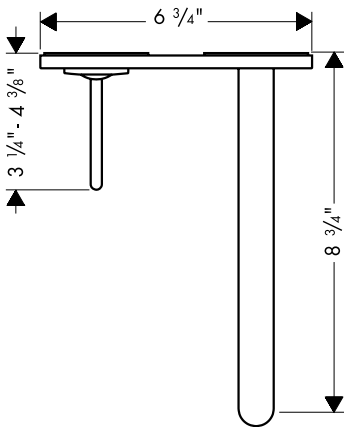
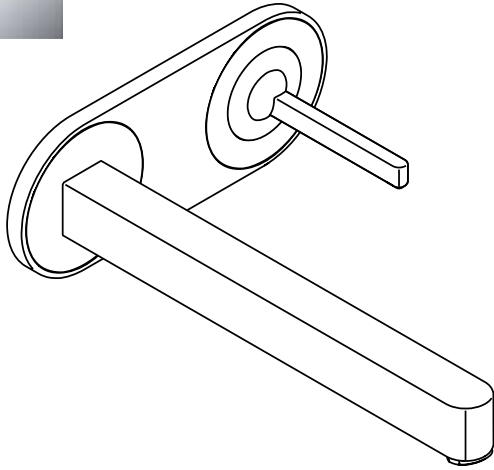


Axor Steel Wall-Mounted Single-Control Lavatory Set

35115801

ECO
RIGHT



Product Features

- With baseplate
- Stainless steel
- Ceramic cartridge
- 1.5 gpm

Code Compliance

This unit meets or exceeds the following:

- ASME A112.18.1
- CSA B112.1
- Listed by IAPMO
- ADA compliant
- Approved for use in Massachusetts

Available Finishes

Steel

35115801

Required Accessories

Rough

38111181

Optional Accessories

Grid drain

06400800

The measurements shown are for reference only.

Products and specifications shown are subject to change without notice.

Specification sheet revised 3/2009

AXOR
hansgrohe