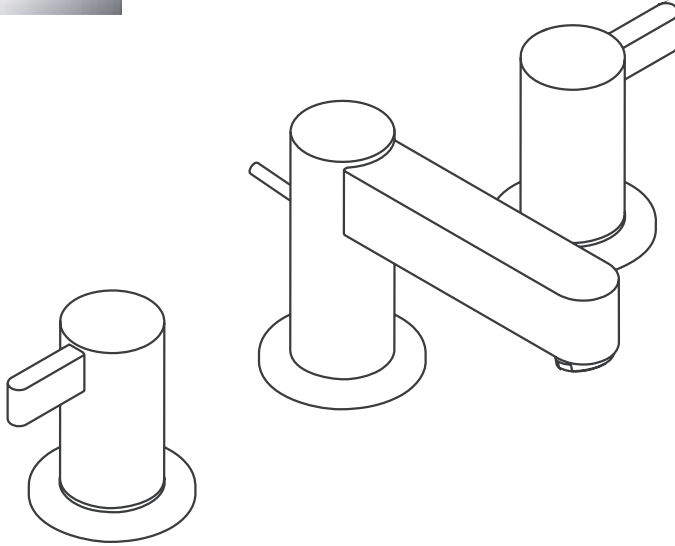


Axor Steel Widespread Lavatory Set

35033801

ECO
RIGHT



Product Features

- Stainless steel
- Lever handles
- 90° Ceramic cartridges
- Flexible connecting hoses accommodate a variety of installations
- 1.5 gpm max.
- Includes pop-up drain

Code Compliance

This unit meets or exceeds the following:

- ASME A112.18.1
- CSA B125.1
- Listed by IAPMO
- ADA compliant
- Approved for use in Massachusetts

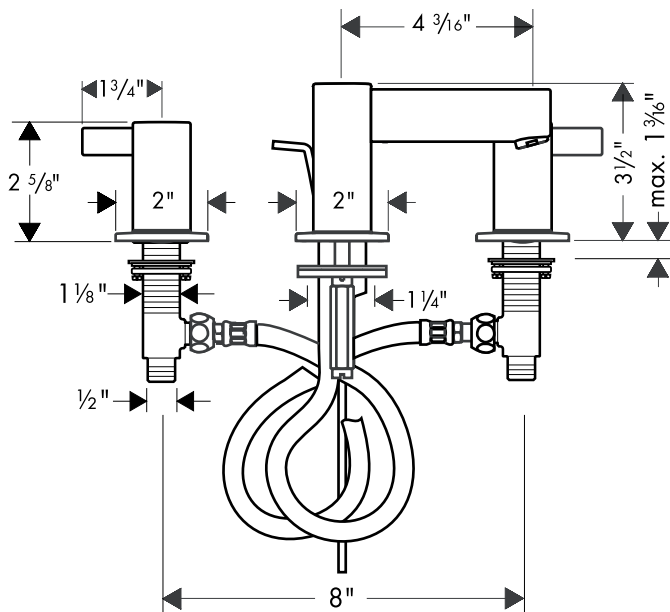
Available Finishes

Steel

35033801

Required Accessories

- Requires 1/2" supply lines



The measurements shown are for reference only.

Products and specifications shown are subject to change without notice.

Specification sheet revised 03/2009

AXOR[®]
hansgrohe