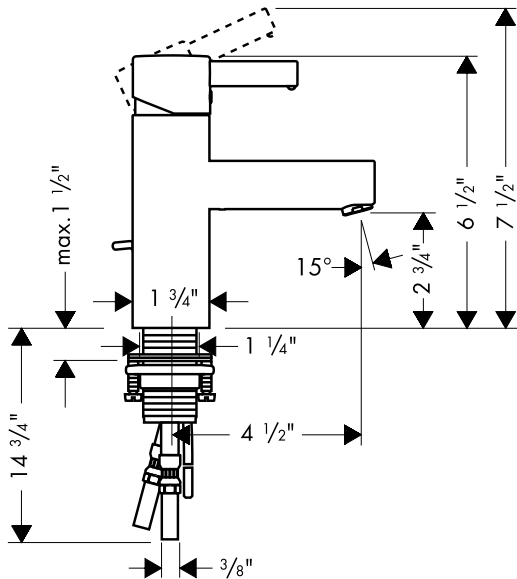
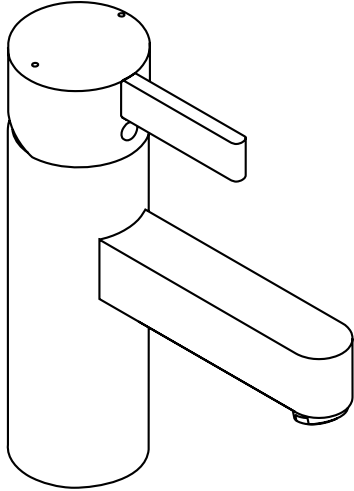


**ECO  
RIGHT**



## Product Features

- Lever handle with ceramic cartridge
- Single hole installation
- Stainless steel
- 1.5 gpm
- Includes pop-up drain

## Code Compliance

This unit meets or exceeds the following:

- ASME A112.18.1
- CSA B125.1
- Listed by IAPMO
- ADA compliant
- Approved for use in Massachusetts

## Available Finishes

Steel

35002801

## Optional Accessories

6" baseplate

14018801

## Installation Notes

- 3/8" Supply hoses – requires 3/8" compression fittings

The measurements shown are for reference only.

Products and specifications shown are subject to change without notice.

Specification sheet revised 3/2009