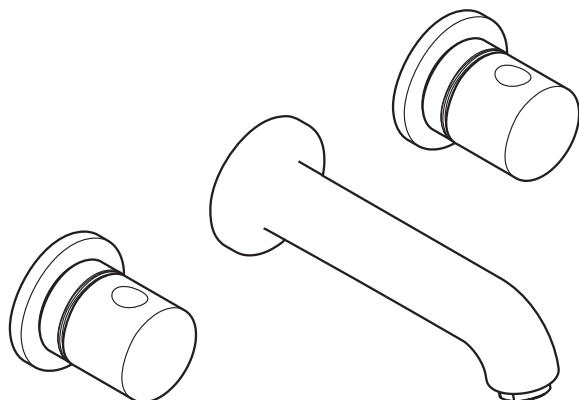


Axor Uno Wall-Mounted Widespread Lav Set

38043XX1



Product Features

- 90° ceramic cartridges
- 2.2 gpm

Code Compliance

This unit meets or exceeds the following:

- ASME A112.18.1
- CSA B125.1
- Listed by IAPMO
- Approved for use in Massachusetts

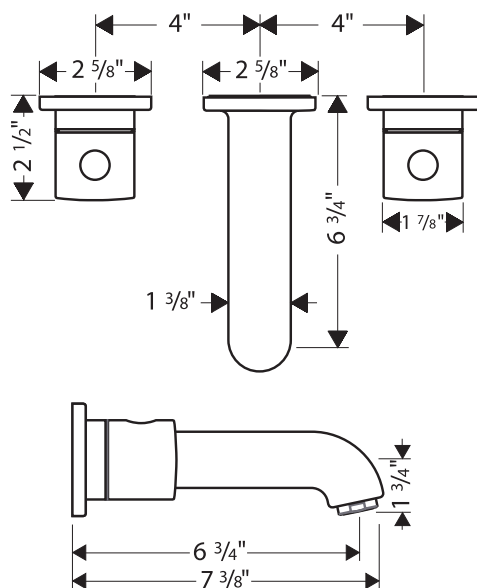
Available Finishes

Chrome

38043001

Brushed Nickel

38043821



Required Accessories

Rough

10303181

Optional Accessories

Grid drain

06400XX0

The measurements shown are for reference only.

Products and specifications shown are subject to change without notice.

Specification sheet revised 4/2008