

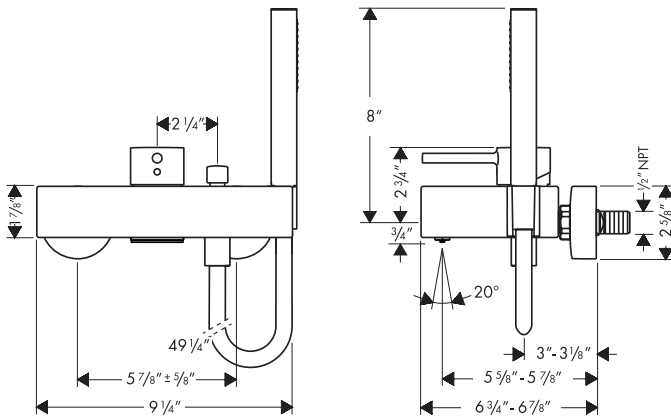
Product Features

- On/off valve with ceramic cartridge
- Diverter for handshower
- 1/2" male inlets
- Outlet for handshower
- Axor handshower with full spray and 49" handshower hose, 2.5 gpm
- Max. flow rate 5.75 gpm @ 44 psi

Code Compliance

This unit meets or exceeds the following:

- ASME A112.18.1
- CSA B125.1
- Listed by IAPMO
- Approved for use in Massachusetts



Available Finishes

Chrome

10402001

Optional Accessories

Remote pressure balance valve
if required by local plumbing code

13418181

The measurements shown are for reference only.

Products and specifications shown are subject to change without notice.

Specification sheet revised 5/2008