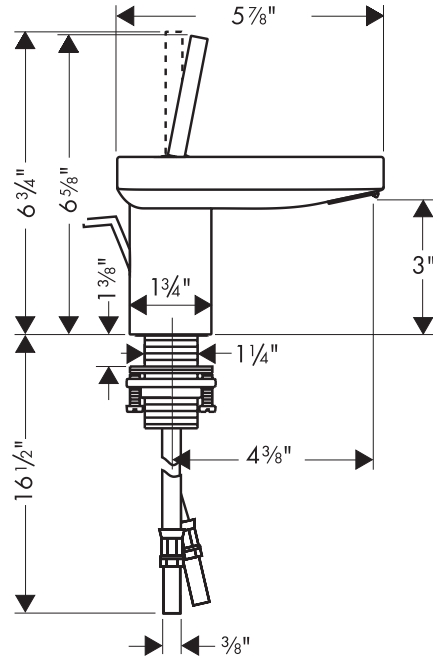
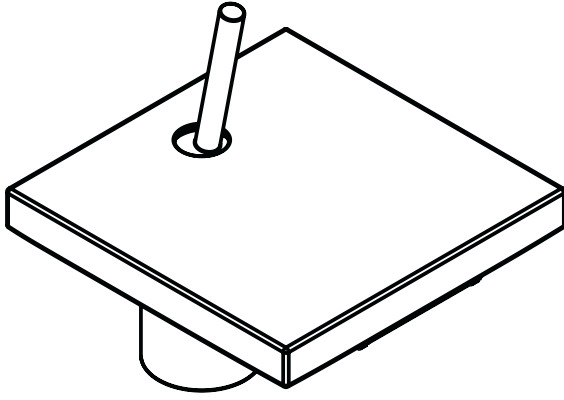


# Starck X Lavatory Faucet

10070001

Available in Chrome



## Product Specification

Recommended hole size	1 3/8"
Maximum depth of mounting surface	1 3/8"
Flow rate	2.2 gpm
Maximum water pressure	145 psi
Recommended water pressure	14.5 - 75 psi
Recommended hot water temperature	120°F - 140°F*

Includes pop-up drain.

The supply hoses with this faucet require supply stops with 3/8" compression fittings (not included)

\*Many municipalities require that the water heater be set no higher than 120°. Please know and follow all applicable plumbing codes when setting the temperature on the water heater.