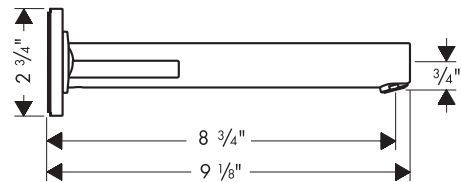
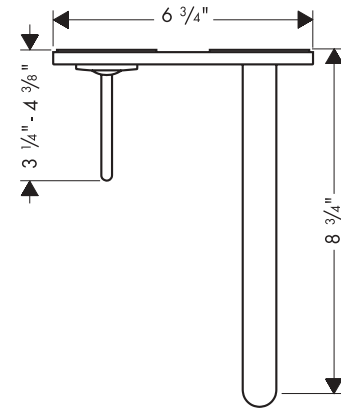
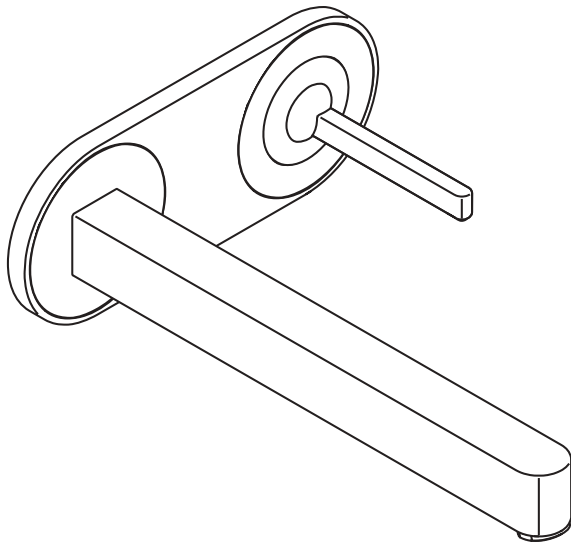


Axor Steel Wall Mount Single-Control Lavatory Faucet 35115801

Available in Steel



Product Specification

Stainless steel
Includes plate
M3 ceramic cartridge

Requires rough-in 38111181
Drain not included

Recommended incoming water pressure	22 - 72 PSI
Recommended incoming hot water temperature	120° - 140°F*
Maximum mounting surface thickness	1 1/2"
Flow rate	2.2 gpm max.

*some municipalities have codes limiting the maximum temperature of the water heater to 120°F or less. Please know and follow all applicable local codes when setting the temperature on the water heater.