

Product Features

- Single control operation
- Solid brass
- Ceramic cartridge
- Spout swivels 360°
- Cascade no-clog aerator
- 2.2 gpm

Code Compliance

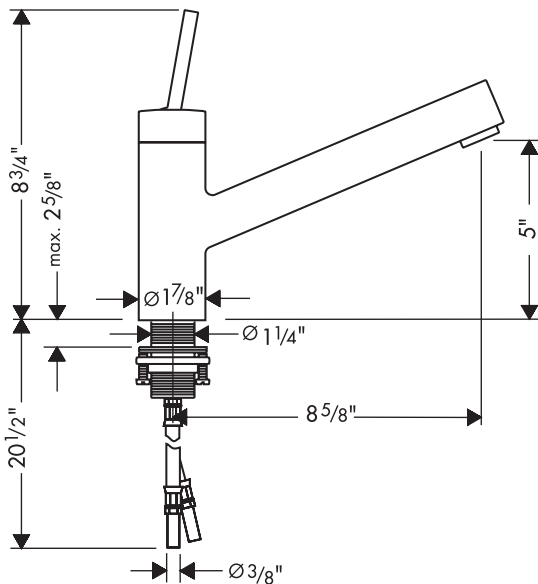
This unit meets or exceeds the following:

- ASME A112.18.1
- CSA B125.1
- Listed by IAPMO
- Approved for use in Massachusetts
- ADA compliant

Available Finishes

Chrome

10801001



The measurements shown are for reference only.

Products and specifications shown are subject to change without notice.

Specification sheet revised 12/2007