

Product Features

- 1/2" NPT female inlets

Code Compliance

This unit meets or exceeds the following:

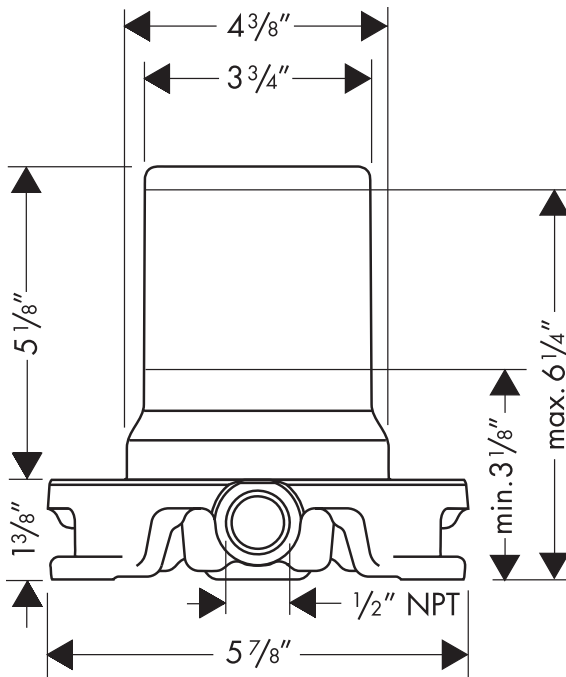
- ASME A112.18.1
- CSA B125.1
- Listed by IAPMO
- Approved for use in Massachusetts

Required Accessories

Axor Starck Freestaing Tub Filler	10456XX1
or	
Axor Starck Freestanding Tub Filler	10458XX1
or	
Axor Starck X Freestanding Tub Filler	10406001

Optional Accessories

In-line pressure balance valve	13418181
--------------------------------	----------



The measurements shown are for reference only.

Products and specifications shown are subject to change without notice.

Specification sheet revised 12/2007

Installation Notes

- Installed in the floor next to the tub
- To insure proper fit of the tub filler, the outside surface of the finished floor (tile, etc.) must fall between the "min" and "max" markings.